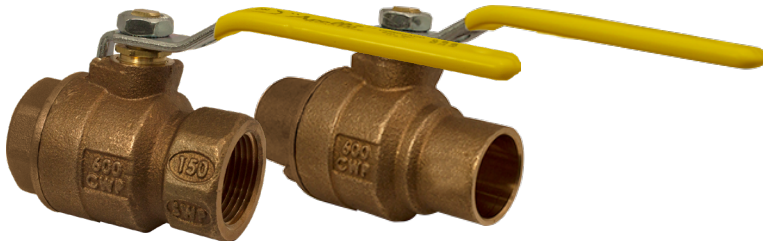


data sheet

77C-100/200-A series

2-piece full port bronze ball valve



features

- full-port “solid ball” design
- adjustable stem packing
- RPTFE seats and seals
- blowout-proof stem
- corrosion resistant materials
- 100% factory tested
- manufactured in the USA - BABA and BAA compliant

description

The “Apollo”® 77C-A series “contractor grade” ball valve features a dezincification resistant bronze body, premium RPTFE seats and stem packing and a “solid ball” design that delivers true full-port flow performance. Cast and machined in our South Carolina manufacturing plants using proven ASTM materials. Not for use with potable water systems.

size range

- ¼” - 2 ½”

connections

- threaded
- solder

configurations

- 77C-A/200-A series - standard
- 77C-140/240 series - 316 ss ball & stem

approvals

- MSS SP-110 ball valves
- IAPMO/ANSI Z1157 ball valves
- CRN: 0C10908.5C
- Buy American Act (BAA)
- Build America Buy America (BABA) Act

component	material
body	bronze, ASTM B584-C84400
retainer	bronze, ASTM B584-C84400 or brass ASTM B16, C36000
ball	stainless steel, ASTM A276-316 or brass, ASTM B16 C36000
seat	RPTFE
stem	brass, ASTM B16, C36000
gland nut	brass, ASTM B16, C36000
stem packing	RPTFE
handle	zinc plated steel/vinyl
stem nut	zinc plated steel

performance rating

CWP	SWP	temperature	vacuum service
600 psi	150 psi	0°F - 450°F	29 in. Hg



this specification is provided for reference only. we reserve the right to change any portion of this specification without notice and without incurring obligation to make such changes to Aalberts integrated piping systems products previously or subsequently sold.

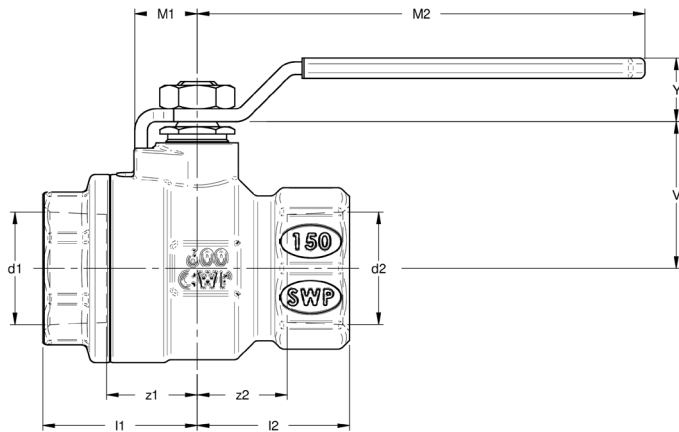
Aalberts integrated piping systems

10715 Sikes Place / suite 200 / Charlotte / NC / 28277
aalberts-ips.us

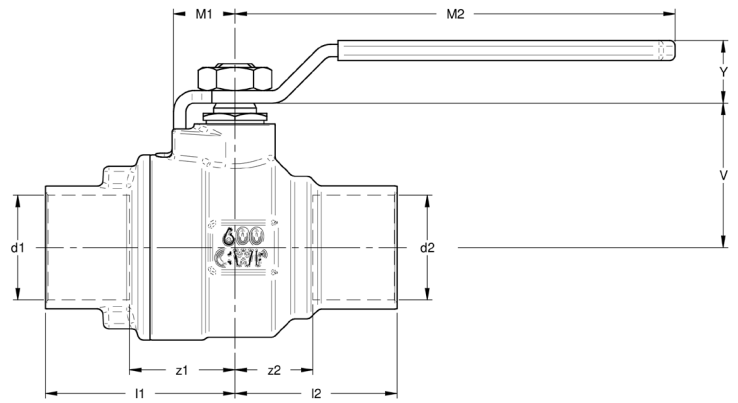
job name	
job location	
engineer	
contractor	
tag	
PO#	
rep	
wholesaler dist	

data sheet

NPT



solder



dimensions

NPT

part number	size	bore size	d1	d2	l1	l2	z1	z2	M1	M2	V	Y	weight
77C-10101-A	¼"	0.37"	0.54"	0.54"	0.88"	0.92"	0.51"	0.53"	0.52"	2.86"	0.99"	0.63"	0.60 lbs
77C-10201-A	⅜"	0.37"	0.68"	0.68"	0.94"	0.92"	0.53"	0.51"	0.52"	2.86"	0.99"	0.63"	0.55 lbs
77C-10301-A	½"	0.50"	0.84"	0.84"	1.14"	1.15"	0.61"	0.62"	0.55"	3.86"	1.03"	0.66"	0.63 lbs
77C-10401-A	¾"	0.75"	1.05"	1.05"	1.34"	1.33"	0.79"	0.78"	0.55"	3.86"	1.25"	0.66"	1.00 lbs
77C-10501-A	1"	1.00"	1.32"	1.32"	1.63"	1.62"	0.97"	0.96"	0.67"	4.76"	1.56"	0.68"	1.83 lbs
77C-10601-A	1 ¼"	1.25"	1.66"	1.66"	1.90"	1.85"	1.22"	1.16"	0.67"	4.76"	1.78"	0.68"	4.20 lbs
77C-10701-A	1 ½"	1.50"	1.90"	1.90"	2.06"	2.05"	1.38"	1.37"	0.98"	5.40"	2.19"	0.70"	4.60 lbs
77C-10801-A	2"	2.00"	2.38"	2.38"	2.43"	2.42"	1.74"	1.72"	1.00"	7.75"	2.77"	0.90"	7.90 lbs
77C-10901-A	2 ½"	2.50"	2.88"	2.88"	3.03"	2.99"	2.10"	2.06"	1.00"	7.75"	3.22"	0.90"	16.43 lbs

solder

part number	size	bore size	d1	d2	l1	l2	z1	z2	M1	M2	V	Y	weight
77C-20201-A	⅜"	0.37"	0.68"	0.68"	0.94"	0.92"	0.53"	0.51"	0.52"	2.86"	0.99"	0.63"	0.55 lbs
77C-20301-A	½"	0.50"	0.84"	0.84"	1.14"	1.15"	0.61"	0.62"	0.55"	3.86"	1.03"	0.66"	0.63 lbs
77C-20401-A	¾"	0.75"	1.05"	1.05"	1.34"	1.33"	0.79"	0.78"	0.55"	3.86"	1.25"	0.66"	1.00 lbs
77C-20501-A	1"	1.00"	1.32"	1.32"	1.63"	1.62"	0.97"	0.96"	0.67"	4.76"	1.56"	0.68"	1.50 lbs
77C-20601-A	1 ¼"	1.25"	1.66"	1.66"	1.90"	1.85"	1.22"	1.16"	0.67"	4.76"	1.78"	0.68"	3.90 lbs
77C-20701-A	1 ½"	1.50"	1.90"	1.90"	2.06"	2.05"	1.38"	1.37"	0.98"	5.40"	2.19"	0.70"	5.90 lbs
77C-20801-A	2"	2.00"	2.38"	2.38"	2.43"	2.42"	1.74"	1.72"	1.00"	7.75"	2.77"	0.90"	7.50 lbs
77C-20901-A	2 ½"	2.50"	2.88"	2.88"	3.03"	2.99"	2.10"	2.06"	1.00"	7.75"	3.22"	0.90"	14.50 lbs

options

option	component	size
(-01)	standard lever and trim	all
(-04)	2 ¼" cs stem extension	all
(-07)	steel tee handle	all
(-10)	SS lever & nut	all
(-11)	Therma-Seal™ insulating tee handle	all
(-27)	ss latch-lock lever & nut	all
(-50)	2 ¼" CS locking stem extension	all
(-94)	2 ¼" stem extension & balancing stop	all
(77C-140/240 series)	316 ss vented ball & stem	all