

data sheet

80-100 series

UL listed shutoff bronze ball valve



description

The "Apollo"® 80-100 series bronze ball valve is UL listed and designed as a safe shut off valve for LP gas, natural gas, flammable liquids and heated oil. Proudly made in our South Carolina production facilities.

size range

- 1/4" - 3"

connections

- threaded

configurations

- 80-100 series - standard

approvals

- MSS SP-110
- CRN: 0C10908.5C
- Buy American Act (BAA)
- Build America Buy America (BABA) Act
- UL 125 - flow control valves for LP-gas, guide YSDT to 250 psig maximum
- UL 842 - valves for flammable fluids, guides YRBX, YRPV, and MHKZ to 250 psig maximum
- UL 1477 - compressed gas shutoff valves, guide YQNZ to 250 psig



this specification is provided for reference only. we reserve the right to change any portion of this specification without notice and without incurring obligation to make such changes to Aalberts integrated piping systems products previously or subsequently sold.

Aalberts integrated piping systems

10715 Sikes Place / suite 200 / Charlotte / NC / 28277

aalberts-ips.us

features

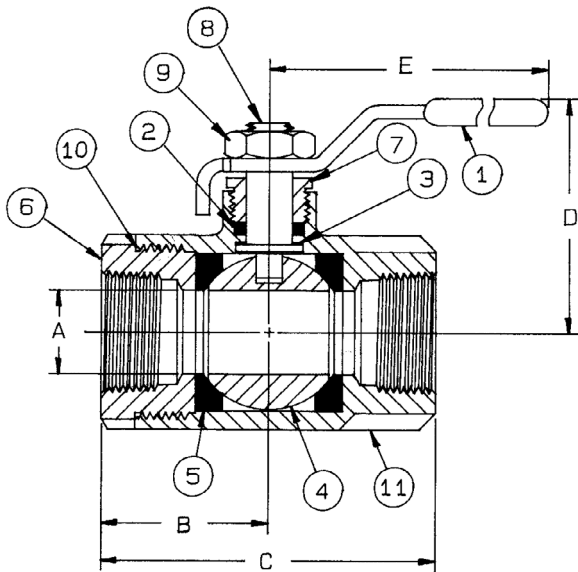
- adjustable packing gland
- blowout-proof stem design
- RPTFE seats and seals
- MSS SP-110 ball valves
- manufactured in the USA - BABA and BAA compliant

component	material
body	bronze, ASTM B584-C84400
retainer	brass, ASTM B16-C36000 (1/4" - 1") bronze, ASTM B584-C84400 or B283-C37700 (1 1/4" - 3")
ball	stainless steel, ASTM A276-316
seat (2)	RPTFE
stem	brass, ASTM B16-C36000
stem packing	RPTFE
stem nut	steel, zinc plated
handle	steel, zinc plated with vinyl
body seal (1 1/4" - 3")	PTFE
gland nut	brass, ASTM B16-C36000

performance rating			
CWP	SWP	LP gas	vacuum service
600 psig	150 psig	250 psig	29 in Hg

job name	
job location	
engineer	
contractor	
tag	
PO#	
rep	
wholesaler dist	

data sheet



dimensions

part number	size	a	b	c	d	e
80-101-01	¼"	0.37"	1.03"	2.06"	1.75"	3.87"
80-102-01	⅜"	0.37"	1.03"	2.06"	1.75"	3.87"
80-103-01	½"	0.50"	1.12"	2.25"	1.81"	3.87"
80-104-01	¾"	0.68"	1.50"	3.00"	2.12"	4.87"
80-105-01	1"	0.87"	1.68"	3.37"	2.25"	4.87"
80-106-01	1 ¼"	1.00"	2.00"	4.00"	2.62"	5.50"
80-107-01	1 ½"	1.25"	2.18"	4.37"	2.87"	5.50"
80-108-01	2"	1.50"	2.34"	4.68"	3.06"	5.50"
80-109-01	2 ½"	2.50"	3.25"	6.50"	4.12"	8.00"
80-100-01	3"	2.50"	3.37"	6.75"	4.12"	8.00"

options

option	component	size
(-01)	standard	all
(-07)	steel tee handle	all
(-27)	ss latch-lock lever & nut (standard configuration)	all