

data sheet

61YLF-PR series

161T

bronze press swing check valve | lead-free



description

The lead-free 61YLF series swing check valve (161T) incorporates “Apollo”® Press® technology. With reliable protection against reverse flow in a variety of liquid applications including hot and chilled water / HVAC applications. May be installed in both horizontal and vertical flow with upward flow. Now with Leak Before Press® technology and 200 psig maximum working pressure. These valves are cast, machined, assembled, and tested in South Carolina using proven ASTM quality materials.

*lead free: the wetted surfaces of this product shall contain no more than 0.25% lead by weighted average. Complies with Federal Public Law 111-380. ANSI 3rd party approved and listed.

size range connections

- ½” - 2”
- press

configurations

- 61Y-PR series - bronze
- 61YLF-PR series - lead-free bronze

approvals/compliance

- MSS SP-80 design and testing
- MSS SP-139 copper alloy gate, globe, & check valves
- NSF/ANSI/CAN 372 lead-free
- CRN OC14667.5
- Buy American Act (BAA)
- Build America Buy America (BABA) Act



this specification is provided for reference only. we reserve the right to change any portion of this specification without notice and without incurring obligation to make such changes to Aalberts integrated piping systems products previously or subsequently sold.

Aalberts integrated piping systems

10715 Sikes Place / suite 200 / Charlotte / NC / 28277
aalberts-ips.us

features

- lead-free ANSI 3rd party certified
- quick press end connection
- fast, reliable, economical press installation
- Leak Before Press® technology
- renewable PTFE seat disc
- manufactured in the USA - BABA and BAA compliant

component	material
body	lead-free bronze, ASTM B584, C89836
cap	lead-free bronze, ASTM B584, C89836
seat	PTFE or Viton®
pin	stainless steel
connector housing	lead-free DZR brass, C27451
sealing element	EPDM
plug	lead-free DZR brass, C27451
hanger	304 stainless steel or lead-free bronze, ASTM B584, C89836

performance rating**

CWP (maximum)	temperature range
200 psig (13.8 bar) non-shock	0°F - 250°F (-18°C - 121°C)

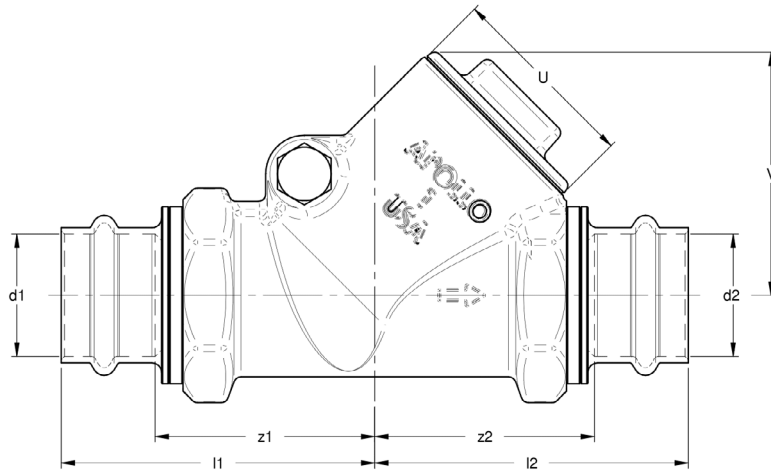
** “Apollo”® Press® connectors are designed for direct mechanical connection to ASTM B88-Type K, L, and M copper tubing in the hard drawn condition. Not suitable for steam or flammable gas service

caution

- not recommended for applications which may induce pulsation or repetitive vibration (**see installation manual for details**)

job name	
job location	
engineer	
contractor	
tag	
PO#	
rep	
wholesaler dist	

data sheet



dimensions

part number	size	d1	d2	l1	l2	z1	z2	V	U	weight	Cv
61YLF-203-TIPR	½"	0.63"	0.63"	2.17"	2.17"	1.42"	1.42"	1.65"	1.34"	0.78 lbs	7.00
61YLF-204-TIPR	¾"	0.88"	0.88"	2.55"	2.55"	1.67"	1.67"	1.90"	1.53"	1.8 lbs	12.0
61YLF-205-TIPR	1"	1.13"	1.13"	2.92"	2.92"	2.04"	2.04"	2.26"	1.82"	2.5 lbs	28.6
61YLF-206-TIPR	1¼"	1.38"	1.38"	3.5"	3.5"	2.50"	2.50"	3.00"	2.42"	4.4 lbs	39.0
61YLF-207-TIPR	1½"	1.63"	1.63"	3.87"	3.87"	2.42"	2.42"	3.00"	2.42"	4.5 lbs	56.0
61YLF-208-TIPR	2"	2.13"	2.13"	4.44"	4.44"	2.88"	2.88"	3.74"	3.05"	7.0 lbs	152.0

* for liquids the flow coefficient - Cv - expresses the flow capacity in gallons per minute (GPM) of 60°F water with a pressure drop of 1 psig (lb/in²)

** VIPR for Viton® seat option