

data sheet

# 77V-140 series

## small diameter

press end forged ball valve stainless steel ball & stem 1/2" - 2"



### description

The "Apollo"® Press® 77V-140 series 2-piece press ball valve with stainless steel ball and stem is ideal for installation in heating, cooling and non-potable plumbing. Features Leak Before Press® technology and 300 psig maximum working pressure Proudly manufactured in our South Carolina facilities.

### size range

- 1/2" - 2"

### connections

- press

### configurations

- 77V series - standard
- 77VLF series - lead-free

### approvals

- MSS SP-110 ball valves
- IAPMO/ANSI Z1157 ball valves
- IAPMO/ANSI/CAN Z1117
- Buy American Act (BAA)
- Build America Buy America (BABA) Act

### approved applications

- water, chilled and hot: 33°F - 250°F
- hydronic heating (50% glycol max)
- low pressure steam, 15 psig max
- not suitable for flammable gas service
- not intended for potable water in USA



*this specification is provided for reference only. we reserve the right to change any portion of this specification without notice and without incurring obligation to make such changes to Aalberts integrated piping systems products previously or subsequently sold.*

### Aalberts integrated piping systems

10715 Sikes Place / suite 200 / Charlotte / NC / 28277  
[aalberts-ips.us](http://aalberts-ips.us)

### features

- 2-piece, heavy pattern forged design
- full port flow
- superior RPTFE seats and packing
- adjustable stem packing
- Leak Before Press® technology
- blowout-proof stem
- corrosion resistant materials
- silicone free assembly
- 100% factory tested
- manufactured in the USA - BAA and BABA compliant

component	material
body	forged brass, ASTM C37700
retainer	forged brass, ASTM C37700
ball	stainless steel, ASTM A276-316
seat (2)	RPTFE
stem	stainless steel, ASTM A276-316
gland	brass ASTM B16, C36000
stem packing	RPTFE
handle	plated steel/insulated polyvinyl
nut	corrosion resistant plated steel
sealing element	EPDM

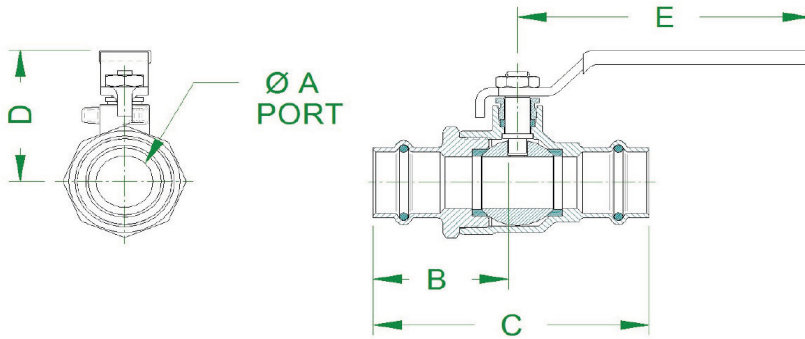
### performance rating

CWP	temperature
300 psig (maximum)	0°F - 250°F (maximum temperature)

\*\* "Apollo"® Press® connectors are designed for direct mechanical connection to ASTM B88-Type K, L, and M copper tubing in the hard drawn condition, and soft copper tube up to 1 1/4" CTS. Not suitable for steam or flammable gas service.

job name	
job location	
engineer	
contractor	
tag	
PO#	
rep	
wholesaler dist	

data sheet



dimensions

part number	size	a	b	c	d	e	weight
77V-143-01	½"	0.50"	1.57"	2.89"	1.66"	2.85"	0.40 lbs
77V-144-01	¾"	0.75"	1.90"	3.63"	1.91"	3.86"	0.90 lbs
77V-145-01	1"	1.00"	2.20"	3.88"	2.11"	3.86"	1.20 lbs
77V-146-01	1 ¼"	1.25"	2.23"	4.22"	2.44"	4.75"	2.30 lbs
77V-147-01	1 ½"	1.50"	2.84"	5.45"	2.91"	5.42"	3.40 lbs
77V-148-01	2"	2.00"	3.40"	6.57"	3.69"	7.77"	6.00 lbs

options

option	component	size
(-01)	standard lever	all
(-04)	2 ¼" stem extension (carbon steel, zinc plated)	½" - 2 ½"
(-07)	steel tee handle	½" - 2"
(-10)	stainless steel lever & nut	½" - 2 ½"
(-11)	Therma-Seal™ insulating tee handle	½" - 2"
(-27)	ss latch-lock lever & nut	½" - 3"

data sheet

# 77V-140 series

## small diameter

press end forged ball valve stainless steel ball & stem 2 1/2" - 4"



### description

The "Apollo"® Press® 77V-140 series 2-piece press ball valve with stainless steel ball and stem is ideal for installation in heating, cooling and non-potable plumbing. Features Leak Before Press® technology and 300 psig maximum working pressure Proudly manufactured in our South Carolina facilities.

### size range

- 2 1/2" - 4"

### connections

- press

### configurations

- 77V series - standard
- 77VLF series - lead-free

### approvals

- MSS SP-110 ball valves
- IAPMO/ANSI Z1157 ball valves
- IAPMO/ANSI/CAN Z1117
- Buy American Act (BAA)
- Build America Buy America (BABA) Act

### approved applications

- water, chilled and hot: 33°F - 250°F
- hydronic heating (50% glycol max)
- low pressure steam, 15 psig max
- not suitable for flammable gas service
- not intended for potable water in USA



*this specification is provided for reference only. we reserve the right to change any portion of this specification without notice and without incurring obligation to make such changes to Aalberts integrated piping systems products previously or subsequently sold.*

### Aalberts integrated piping systems

10715 Sikes Place / suite 200 / Charlotte / NC / 28277  
[aalberts-ips.us](http://aalberts-ips.us)

### features

- 2-piece, heavy pattern forged design
- full port flow
- superior RPTFE seats and packing
- adjustable stem packing
- Ridgid® XLC Press Tool compatible (2 1/2" - 4")
- Leak Before Press® technology
- blowout-proof stem
- corrosion resistant materials
- silicone free assembly
- 100% factory tested
- manufactured in the USA - BAA and BABA compliant

component	material
body	forged brass, ASTM C37700
retainer	forged brass, ASTM C37700
ball	stainless steel, ASTM A276-316
seat (2)	RPTFE
stem	stainless steel, ASTM A276-316
gland	brass ASTM B16, C36000
stem packing	RPTFE
handle	plated steel/insulated polyvinyl
nut	corrosion resistant plated steel
sealing element	EPDM

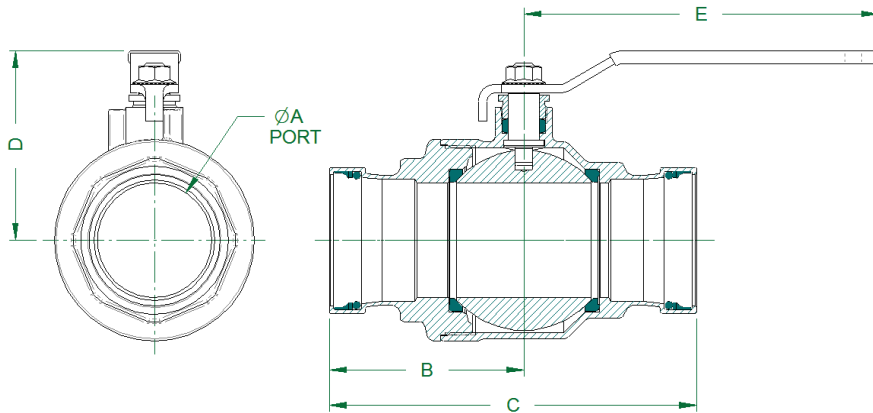
### performance rating

CWP	temperature
300 psig (maximum)	0°F - 250°F (maximum temperature)

\*\* "Apollo"® Press® connectors are designed for direct mechanical connection to ASTM B88-Type K, L, and M copper tubing in the hard drawn condition, and soft copper tube up to 1 1/4" CTS. Not suitable for steam or flammable gas service.

job name	
job location	
engineer	
contractor	
tag	
PO#	
rep	
wholesaler dist	

data sheet



dimensions

part number	size	a	b	c	d	e	weight
77V-149-01	2 ½"	2.50"	4.26"	8.04"	4.13"	7.77"	12.00 lbs
77V-140-01	3"	3.00"	5.10"	9.45"	5.03"	9.92"	19.50 lbs
77V-14A-01	4"	4.00"	5.20"	10.35"	5.70"	14.78"	26.00 lbs

options

option	component	size
(-01)	standard lever	all
(-04)	2 ¼" stem extension (carbon steel, zinc plated)	½" - 2 ½"
(-07)	steel tee handle	½" - 2"
(-10)	stainless steel lever & nut	½" - 2 ½"
(-11)	Therma-Seal™ insulating tee handle	½" - 2"
(-27)	ss latch-lock lever & nut	½" - 3"