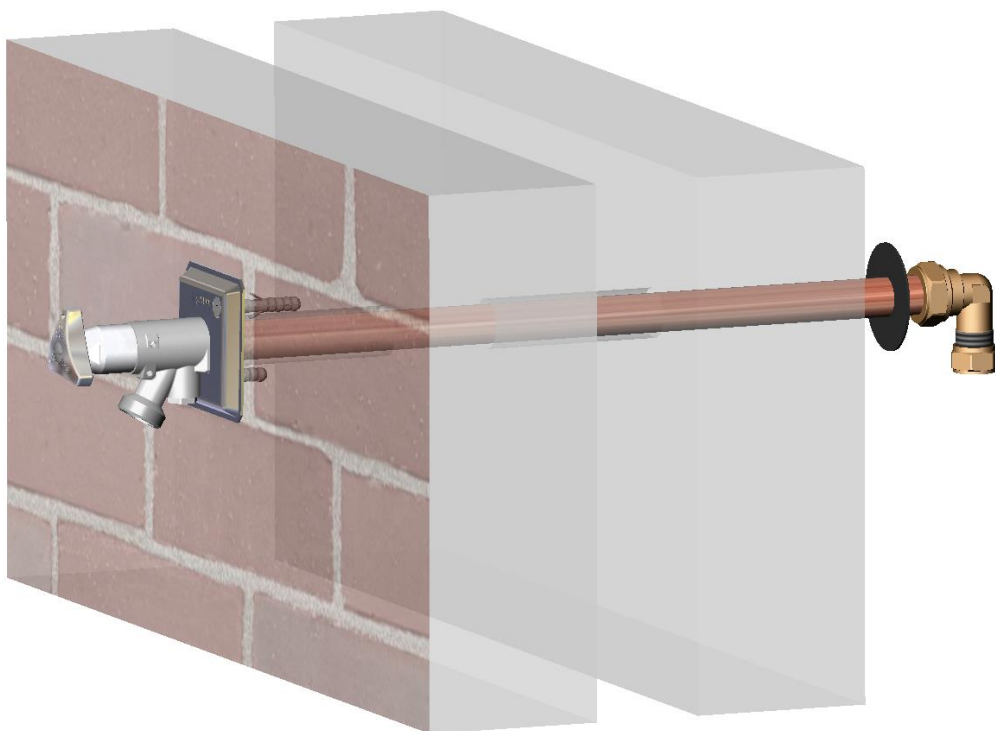


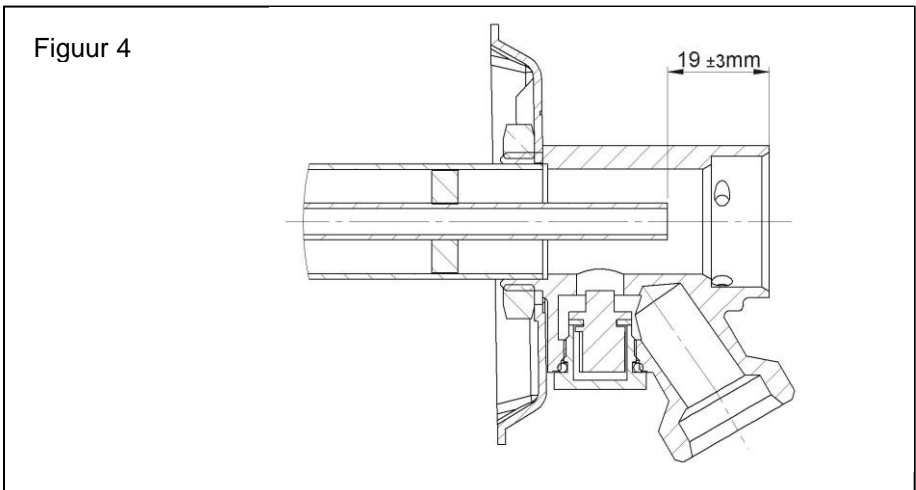
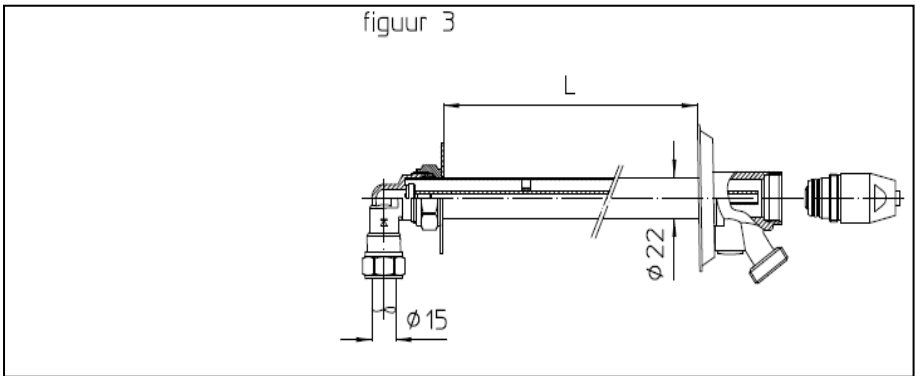
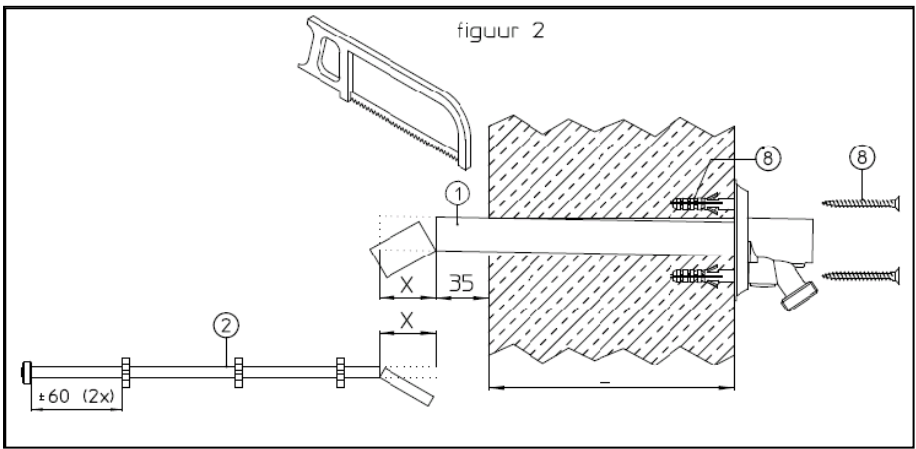
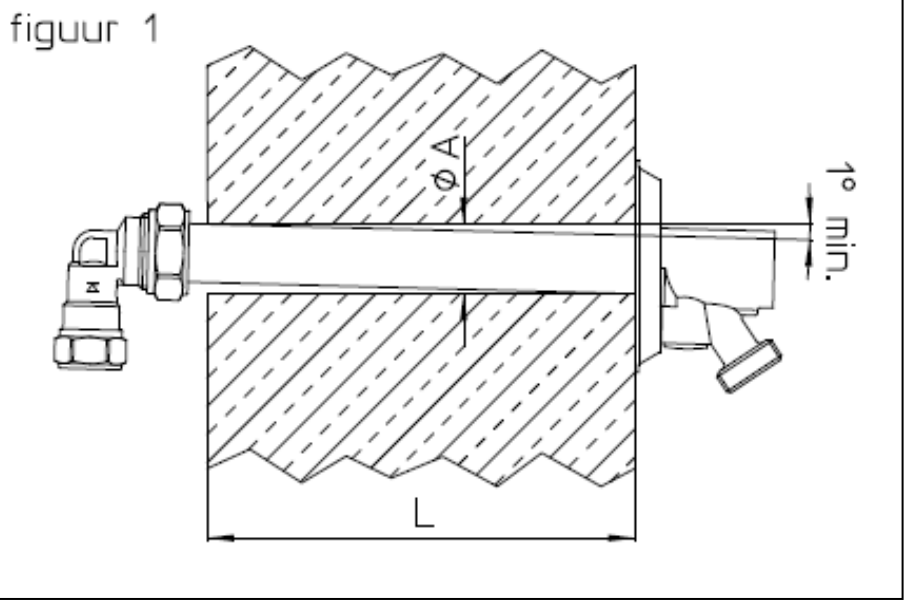
nl

# POLARIS



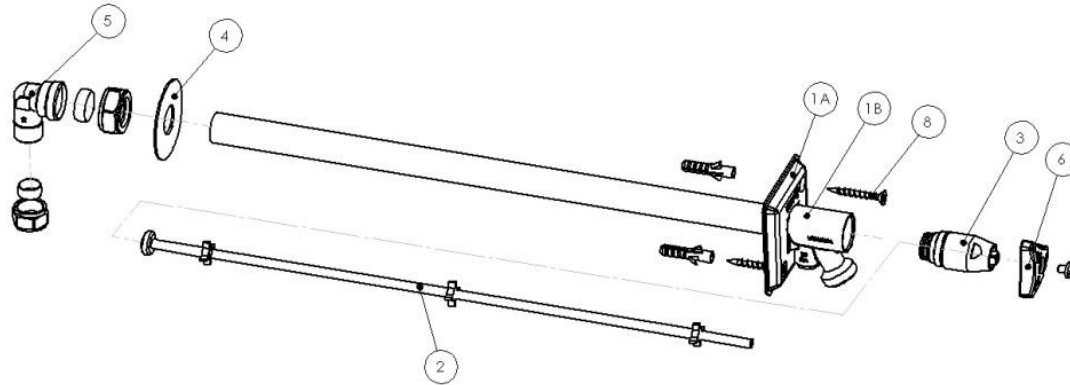
**VSH** 

Providing suitable solutions



VSH Frostproof sillcocks are outside taps with wall transition and can simply be installed as taps for drinking water installations. The integrated automatic water dispenser prevents the outside tap against frost, even when a hose is connected to the tap. The remaining water in the tap will leave through the small holes at the side of the tap in a controlled flow. Return flow of (possible) polluted water is prevented by a built-in back flow preventer (EB) and the vacuum breaker (DA).

VSH Frostproof Sillcocks are approved by KIWA according to BRL K 14001/02, certificate nr K4385/01. Also the taps have Belgaqua approval and are in accordance with Norm EN 1717 (EB-DA).



### **Contents:**

- 1 VSH Outside tap incl. vacuum breaker with stainless steel wall plate (1A+1B)
- 1 Spindle (2)
- 1 Upper part (3)
- 1 Wall bush (4)
- 1 Elbow with back flow preventer compression 22 x 15mm (5)
- 1 Knob =Key (6)
- 2 RVS screws and 2 plugs (8)
- 1 Installation instructions incl. drill stencil

### **Tools needed:**

- Handsaw
- Measuring-rod
- Pencil
- File
- Drill machine
- Stonebit 8mm +28mm L = 400mm
- Wrenches 22 + 24 +32mm (or Bahco)
- Screwdriver

### **Installation:**

1. Flush connecting tube of installation.
2. Define position of wall plate (1A) (use template 10).
3. Mark holes 8mm and drill holes use template (fig.5).
4. Drill middle hole with  $\varnothing$  28mm.
5. Frostproof sillcock has been pre-mounted under angle  $1^\circ$ . Be sure to keep the angle when installing to allow water flowing away (fig.1).
6. Determine cut-off length X (fig. 2); Cut-off length X is identical for the outer tube and spindle. Maximum difference of  $\pm 3$  mm.  $X = 400 \text{ mm} - \text{wall thickness (L)}$ .  
Example: wall thickness L: 320 mm,  $X = 400 - 320 = 80$  mm: therefore shorten both the outer tube and spindle by 80 mm.
7. If the spindle is mounted after the tube has already been connected, its length shall be such that the front of the spindle is 19 mm  $\pm$  3 mm shorter than the front of the house (fig. 4).
8. Remove burrs on/in outer tube (1B) and spindle (2).
9. Push outer tube (1B) through hole  $\varnothing$  28mm and connect stainless steel wall plate (1A) with 8mm screws (8) and plugs (8) to wall (fig.2).
10. Push wall rosette (4) over outer tube (1B) against inside wall (fig.3).
11. Push compression elbow (5) with  $\varnothing$ 22mm end till stop end over outer tube (1B) (fig.3).
12. Turn compression nut  $\varnothing$ 22 by hand, afterwards fasten with wrench another  $3/4$  turn.
13. Place cross marks at equal intervals along the length of the spindle (fig. 2).
14. Push spindle (2), with seal-end in direction of elbow(5), into outer tube(1B) (fig.2).
15. Mount the upper part in completely opened position (counter-clockwise up to the stop end) onto the outside tap with the 22 mm wrench (fig. 3).
16. Install water pipe system  $\varnothing$ 15mm to compression elbow (5), first by hand, than fasten with wrench  $3/4$  turn (fig.3).
17. Opening and closing of outside tap use knob=key (6).

Fig 5

