

36LF Series

Pressure Reducing Valve

LEAD FREE



Job Name:	
Job Location:	
Engineer:	
Contractor:	
Tag:	
PO#:	
Rep:	
Wholesale Dist.:	

DESCRIPTION

Apollo 36LF Series Pressure Reducing Valves are designed to protect residential and commercial water distribution systems by controlling excessive pressures. The valves are built for long reliable service with proven ASTM grade materials including a lead free* bronze body and stainless steel strainer.

FEATURES

- Lead Free* AB 1953 Certified
- Corrosion Resistant Bronze Body and Bonnet
- 100% Factory Tested, Preset to 50 psi (-01)
- Control Pressure Ranges: 10-35 psi, 25-75 psi (Standard), 75-125 psi
- Integral SS Strainer
- Balanced Piston Design
- Internal Thermal Expansion Bypass
- Multiple Connection Options
- Optional Pressure Gauge or Tapping
- **100% Manufactured in USA**

APPROVALS

- NSF/ANSI 372 Lead Free
- ASSE 1003
- CSA B356

OPTIONS

- (P) - Tapped w/ Plug
- (G) - Tapped w/ Gauge
- (02) - 10-35 psig
- (03) - 75-125 psig
- (36) - with Standard Material for Non-Potable Applications

STANDARD MATERIALS LIST

BODY	C89836 Lead Free* Bronze
COVER	Bronze, ASTM B584
DIAPHRAGM	FDA Grade Buna W/ Polyester
SEAT DISC	FDA Grade EPDM
STEM	C27450 Lead Free* Brass
SPRING	Stainless Steel
O-RINGS	NSF Grade EPDM

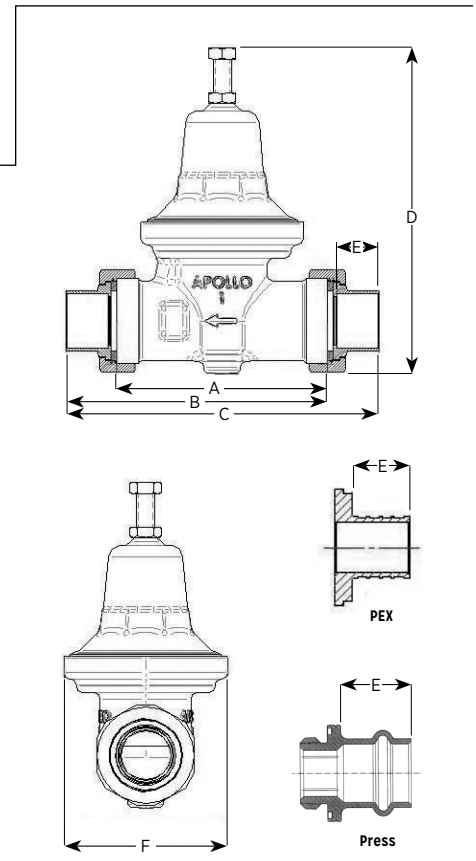
PERFORMANCE RATING

- Maximum Supply Pressure up to 300 psig
- Temperature Range 33 °F - 180 °F

DIMENSIONS

SIZE (IN.)	CONNECT TYPE	DIMENSIONS (IN.)						WT. (UNION) LB. EACH
		A	B	C	D	E	F	
1/2"	THREAD	4	4-7/8	5-5/8	5-7/8	5/8	2-3/4	3.5
	SOLDER	4	4-7/8	5-5/8	5-7/8	1/2	2-3/4	3.4
	PEX	4	5	5-3/4	5-7/8	5/8	2-3/4	3.3
	CPVC	4	4-5/8	5-1/4	5-7/8	1/2	2-3/4	3.1
3/4"	THREAD	3-7/8	4-7/8	5-5/8	5-7/8	5/8	2-3/4	3.4
	SOLDER	3-7/8	4-7/8	5-5/8	5-7/8	3/4	2-3/4	3.3
	PEX	3-7/8	5	5-3/4	5-7/8	5/8	2-3/4	3.2
	CPVC	3-7/8	4-7/8	5-5/8	5-7/8	5/8	2-3/4	3
1"	THREAD	4-3/8	5-1/2	6-3/8	6-7/8	5/8	3-3/8	4.5
	SOLDER	4-3/8	5-1/2	6-3/8	6-7/8	5/8	3-3/8	4.4
	PEX	4-3/8	5-1/2	6-5/8	6-7/8	7/8	3-3/8	4.3
	CPVC	4-3/8	5-3/4	7	6-7/8	3/4	3-3/8	4
1-1/4"	THREAD	5-3/8	6-1/2	7-1/2	8-7/8	7/8	4	10.2
	SOLDER	5-3/8	6-5/8	7-3/4	8-7/8	1	4	10.1
1-1/2"	THREAD	5-3/8	6-5/8	7-7/8	8-7/8	3/4	4	10.4
	SOLDER	5-3/8	6-3/4	8	8-7/8	1-1/8	4	10.3
2"	THREAD	7-1/8	8-1/2	9-7/8	11-1/2	1	5-3/4	22.5
	SOLDER	7-1/8	8-7/8	10-1/2	11-1/2	1-3/8	5-3/4	22.4

Nominal dimensions are shown. Allowances must be made for manufacturers' tolerances.



*LEAD FREE: The wetted surfaces of this product shall contain no more than 0.25% lead by weighted average. Complies with Federal Public Law 111-380. ANSI 3rd party approved and listed.

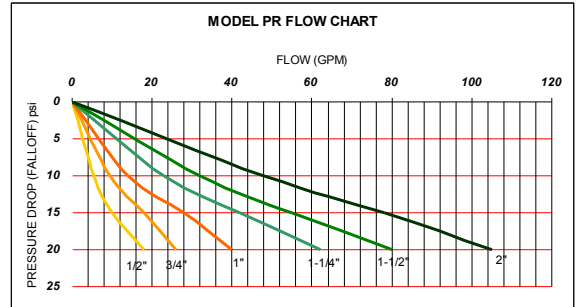
36LF Series

Pressure Reducing Valve

LEAD FREE

FLOW CAPACITY

PIPE SIZE	FALL-OFF* (PSI)	PRESSURE DIFFERENTIAL (PSI)			PIPE SIZE	FALL-OFF* (PSI)	PRESSURE DIFFERENTIAL (PSI)		
		25	50	75			25	50	75
1/2"	5	1.7	2	2.3	1-1/4"	5	8.5	10	11.5
	10	4.3	5	5.8		10	19.6	23	26.5
	15	8.5	10	11.5		15	35.7	42	48.3
	20	15.3	18	20.7		20	53	62	71
3/4"	5	3.4	4	4.6	1-1/2"	5	12	14	16
	10	7.7	9	10.4		10	27	32	37
	15	14.5	17	19.6		15	48	56	64
	20	14.5	17	19.6		20	68	80	92
1"	5	5.1	6	6.9	2"	5	15	18	21
	10	11.9	14	16.1		10	39	46	53
	15	22.1	26	29.9		15	66	78	90
	20	34	40	46		20	94	110	127



Note: Flow curves are based on static conditions of 100psi inlet pressure and 50 psi outlet pressure.
 Pressure differential is the difference between the supply pressure and adjusted outlet pressure measured in the static (closed) condition.
 Pressure fall-off is the decrease in downstream regulated pressure as the flow increases.

PART NUMBER MATRIX

36LF 36	X	X	X	X	X	X
SERIES	CONNECTION	OPTION	SIZE	GAUGE	PRESSURE RANGE	OPTION
36LF (LEAD FREE)	1 - SINGLE UNION NPT	0 - NO OPTION	3 - 1/2"	0 - NO GAUGE	1 - 25-75 PSIG	PR - PRESS
36	2 - NO UNION NPT	C - CPVC TAILPIECE	4 - 3/4"	P - W/ GAUGE PORT	2 - 10-35 PSIG	(APPLIES TO MODELS 36-20X
	3 - SINGLE UNION SOLDER X NPT	S - SEALED CAGE*	5 - 1"	G - W/ GAUGE	3 - 75-125 PSIG	AND 36LF20X ONLY)
	4 - DOUBLE UNION NPT	X - PEX F1807 TAILPIECE	6 - 1-1/4"			
	5 - DOUBLE UNION SOLDER		7 - 1-1/2"			
	6 - SINGLE UNION METER X NPT		8 - 2"			
	8 - DOUBLE UNION CPVC					
	9 - DOUBLE UNION PEX F1807					

*S option = Sealed cage with stainless steel adjusting screw for vault installation.

*LEAD FREE: The wetted surfaces of this product shall contain no more than 0.25% lead by weighted average. Complies with Federal Public Law 111-380. ANSI 3rd party approved and listed.