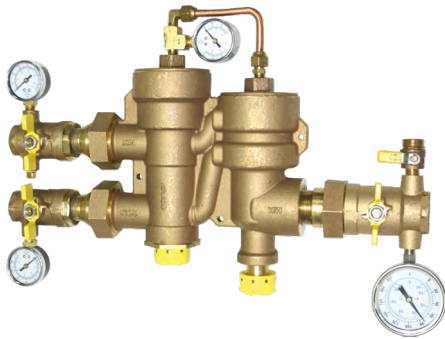


34HL Series

AUTOMATIC TEMPERATURE CONTROLLER (HI-LO)



Job Name:	
Job Location:	
Engineer:	
Contractor:	
Tag:	
PO#:	
Rep:	
Wholesale Dist.:	

DESCRIPTION

The Apollo 34HL Series Automatic Temperature Controller / HI-LO meets the new ASSE 1069 standard for multiple shower applications and the ASSE 1017 standard for point of source distribution applications. The device provides consistent temperature control to flow as low as 0.5 GPM. The MVHL is capable of low flow control without need for recirculation pumps and higher flow with parallel installation. Integral strainers and check valves are supplied at the valve inlets for added protection and long term performance.

FEATURES

- US Patent 6,929,188 B2
- Union Isolation Ball Valve Connections
- Corrosion Resistant Bronze Construction
- Multiple Cabinet Options
- Integral/Replaceable In-Line Check Valves
- Integral/Replaceable In-Line Strainers
- Hi-Lo Flow Calibration Valve
- Pressure Gauges (0-160 psi)
- Temperature Gauge (0-200°F)
- Cold & Hot Water Protection Failure
- Independent Low & High Flow Temp Control
- **Made in USA - ARRA compliant**

PERFORMANCE RATING

- 1.5 GPM Certified Temp Control
- Max Temperature: 200°F
- Max Pressure: 150 psi

OPTIONS

- Powder Coated Steel Cabinet
- Stainless Steel Cabinet
- Wall Mount Cabinet
- Flush Mount Cabinet
- Valve w/ Nickel Plating

APPROVALS

- ASSE 1069 - Performance Requirements for Automatic Temperature Control Mixing Valves
- ASSE 1017 - Performance Requirements for Hot Water Distribution Systems

STANDARD MATERIALS LIST

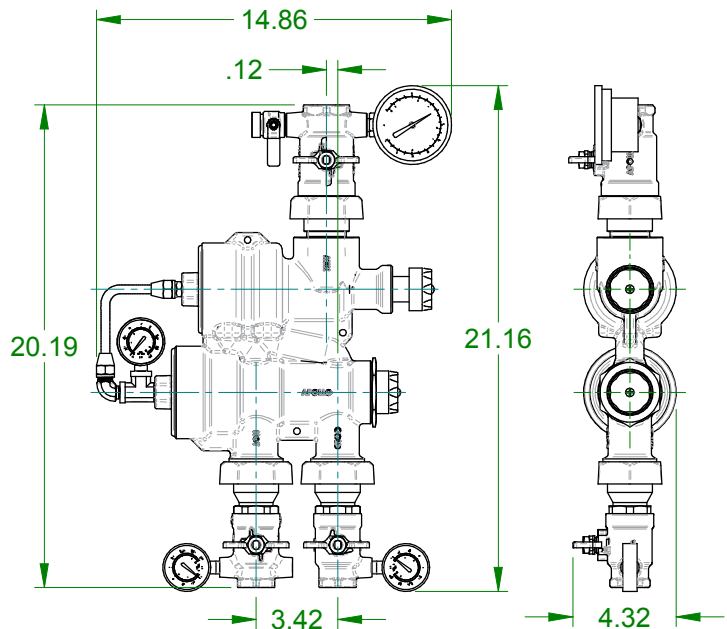
BRONZE CASTINGS	ASTM B584 UNS C84400
BRASS COMPONENTS	ASTM B16 UNS C36000
CHECK MODULES	20% Glass-filled Noryl
SPRINGS	Stainless Steel, ASTM A313
O-RINGS	EPDM Chloramine Resistant

PART NUMBERS

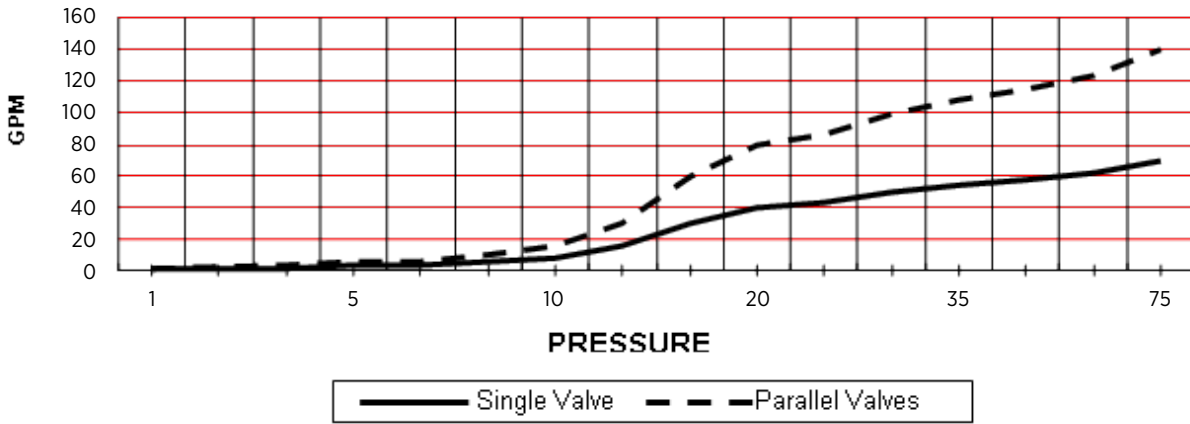
PART NUMBER	DESCRIPTION	WT (LB.)
34HL-105-01	Valve, 1" x 1 1/4" NPT	36
34HL-105-17	Valve, Ni Plt, 1" x 1 1/4" NPT	36
34HL-BOX-01	Cabinet, Flush Mount, SS	32
34HL-BOX-02	Cabinet, Flush Mount, Stl	32
34HL-BOX-03	Cabinet, Wall Mount, SS	30
34HL-BOX-04	Cabinet, Wall Mount, Stl	30

REPAIR KITS

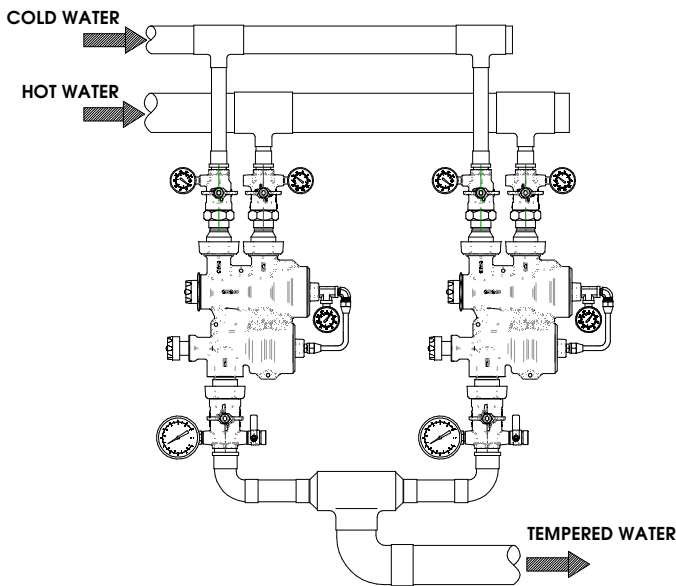
DESCRIPTION	PART NUMBER
Major Repair Kit (Low Flow Side)	34HL105RKL1
Minor Repair Kit (O-Rings Only) Low Flow Side	34HL105RKL2
Major Repair Kit (High Flow Side)	34HL105RKH1
Minor Repair Kit (O-Rings Only) High Flow Side	34HL105RKH2



FLOW CURVE



NOTE: Flowrate may vary depending on actual system operating conditions.



SUGGESTED INSTALLATION FOR HIGH FLOW PARALLEL CONNECTION