

36E Series

Pressure Reducing Valve



Job Name:	
Job Location:	
Engineer:	
Contractor:	
Tag:	
PO#:	
Rep:	
Wholesale Dist.:	

DESCRIPTION

The Apollo 36E Series Pressure Reducing Valve is designed to conserve water and protect water distribution systems by automatically reducing elevated supply pressures. Ideal for industrial and irrigation applications. The dezincification resistant bronze body and dielectric polymer cage provide maximum corrosion resistance. Designed for easy in-line servicing with simple cartridge removal.

FEATURES

- Balanced Piston Design
- SS Adjusting Screw & Nut
- Sealed Cage for Vault Installations
- Built-in Thermal Expansion Bypass
- Large Area Integral Stainless Steel Strainer
- Modular Seat Disc and Strainer Cartridge
- Control Pressure Ranges:
15-75 psi and 75-150 psi
- Factory Tested and Preset at 60 psi
- High Flow / High Efficiency Design
- NPT, Solder, PEX, CPVC, Push & Press Connections
- Single, Double & Less Union Configurations Available
- 100% Manufactured in USA - ARRA Compliant**

PERFORMANCE RATING

- Maximum Supply Pressure: 400 psig
- Push & Press Max Supply Pressure: 200 psig
- Working Temperature Range: 33°F - 180°F

APPROVALS

- ASSE 1003
- IAPMO/UPC
- CSA B356

OPTIONS

- (-B) - Bronze Cap** **NEW!**
- (-P) - Tapped w/ Plug (LF Models Only)
- (-G) - Tapped w/ Gauge (LF Models Only)
- (-O3) - High Pressure 75-150 psi
- (36ELF) - Certified Lead Free
- Direct Press Connections, See Submittal SS1286
- Direct Push Connections, See Submittal SS1284

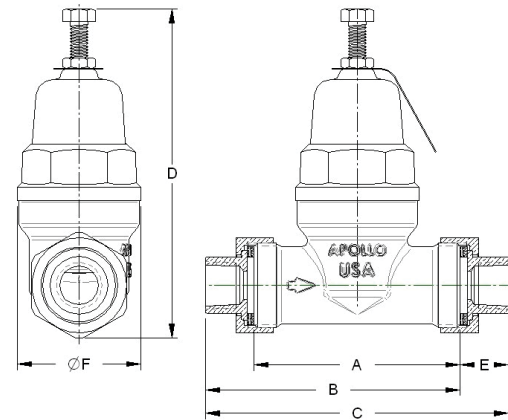
STANDARD MATERIALS LIST

BODY	Bronze, ASTM B584
UNION NUT	Brass, ASTM B16
TAILPIECE	Brass, ASTM B16
SCREEN	Stainless Steel
CAP	Noryl
DIAPHRAGM	NSF Grade EPDM
SEAT DISC	NSF Grade EPDM
ADJUSTING SCREW/NUT	Stainless Steel
SPRING	Spring Steel, ASTM 228
O-RINGS	NSF Grade EPDM

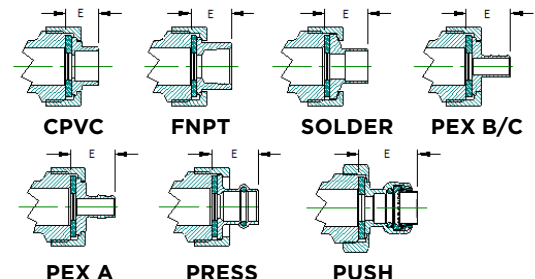
DIMENSIONS

CONNECTION TYPE	SIZE (IN.)	DIMENSIONS (IN.)						WEIGHTS (LB.)	
		A	B	C	D	E	F	SINGLE UNION	DOUBLE UNION
Thread - FNPT	1/2	3.625	4.58	5.53	6	0.95	2.75	2.4	2.75
Solder		3.625	4.56	5.49	6	0.93	2.75	2.4	2.75
CPVC		3.625	4.33	5.03	6	0.70	2.75	2.4	2.75
PEX A		3.625	4.83	6.03	6	1.20	2.75	2.7	3.01
PEX B/C		3.625	4.65	5.67	6	1.02	2.75	2.7	2.99
Push		3.625	4.86	6.09	6	1.23	2.75	2.9	3.02
Push*		3.625	5.10	6.57	6	1.47	2.75	2.8	2.92
Press		3.625	4.62	5.61	6	0.99	2.75	2.9	3.02
Press*		3.625	4.97	6.31	6	1.34	2.75	2.4	2.75
Thread - FNPT		3/4	3.625	4.56	5.49	6	0.93	2.75	2.4
Solder	3.625		4.56	5.49	6	0.93	2.75	2.4	2.75
CPVC	3.625		4.55	5.47	6	0.92	2.75	2.4	2.75
PEX A	3.625		4.83	6.03	6	1.20	2.75	2.7	3.02
PEX B/C	3.625		4.88	6.13	6	1.25	2.75	2.7	2.98
Push	3.625		5.41	7.19	6	1.78	2.75	2.9	3.02
Push*	3.625		5.23	6.83	6	1.60	2.75	2.8	3.23
Press	3.625		4.77	5.91	6	1.14	2.75	2.9	3.02
Press*	3.625		5.13	6.63	6	1.50	2.75	2.4	2.75
Thread - FNPT	1		3.625	4.69	5.75	6	1.06	3.38	2.4
Solder		3.625	4.69	5.75	6	1.06	3.38	2.4	2.86
CPVC		3.625	4.79	5.95	6	1.16	3.38	2.4	2.86
PEX A		3.625	4.80	5.97	6	1.17	3.38	3.2	3.65
PEX B/C		3.625	5.18	6.73	6	1.55	3.38	3.1	3.56
Push		3.625	5.59	7.55	6	1.96	3.38	3.2	3.65
Push*		3.625	5.54	7.45	6	1.91	3.38	3.3	3.91
Press		3.625	4.81	5.99	6	1.18	3.38	3.2	3.65
Press*		3.625	5.25	6.87	6	1.62	3.38	2.4	2.86

*Direct Connect
PEX A (ASTM F1960) - Cold Expansion PEX | PEX B/C (ASTM F1807) - Crimp Style PEX



TAILPIECES



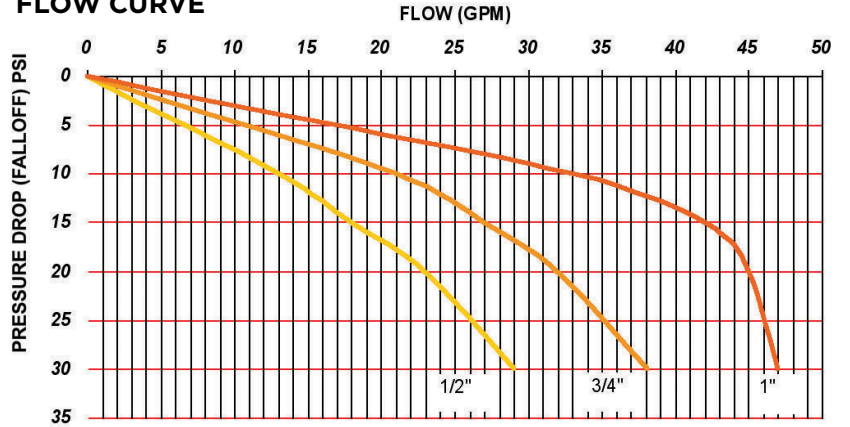
PART NUMBER MATRIX

36ELF 36E	1	X	X	XX	X	X
SERIES	STYLE	UNION	SIZE	PRESSURE RANGE	CONNECTION	OPTION
36ELF (LEAD FREE)	1	0 - NO UNION NPT	3 - 1/2"	01 - 15-75 PSIG RANGE	T - FNPT THREAD	B - BRONZE CAP
36E		1 - SINGLE UNION	4 - 3/4"	03 - 75-150 PSIG RANGE	S - SOLDER	
		2 - DOUBLE UNION	5 - 1"		C - CPVC	
					X - PEX B/C (F1807)	
					P - PUSH*	
					PR - PRESS**	
					X2 - PEX A (F1960)	

PEX A (ASTM F1960) - Cold Expansion PEX
 PEX B/C (ASTM F1807) - Crimp Style PEX
 * Available in Direct Connection, Single Union x NPT, and Double Union
 ** Available in Direct Connection, and Double Union

PIPE SIZE	*FALLOFF (PSI)	PRESSURE DIFFERENTIAL (PSI)		
		25	50	75
WATER CAPACITY (GPM)				
1/2"	10	10	13	16
	15	13	18	22
	20	17	23	29
	30	22	29	36
3/4"	10	16	21	26
	15	20	27	32
	20	24	32	40
	30	29	38	48
1"	10	25	33	41
	15	30	42	52
	20	34	45	56
	30	35	47	59

FLOW CURVE



*Falloff is the difference between the PRV's set pressure and the flowing pressure at any given demand
 Pressure Differential is the difference between the inlet supply pressure and the adjusted outlet pressure.
 Pressure Falloff is the reduction in downstream pressure from the static (set) pressure as the flow increases through the valve.