

# 36HLF Series

High Capacity Pressure Reducing Valve

## LEAD FREE



Job Name:	
Job Location:	
Engineer:	
Contractor:	
Tag:	
PO#:	
Rep:	
Wholesale Dist.:	

### DESCRIPTION

The Apollo 36HLF Series Lead Free\* Pressure Reducing Valve is designed for commercial, industrial, and institutional applications to reduce incoming water pressure for protection of plumbing system components and to reduce water consumption. The valve is made with proven ASTM grade Lead Free\* bronze and stainless steel materials. The PRH-LF provides high capacity flow with low pressure drop. It is designed with an integral by-pass relief to protect against thermal expansion downstream. The bottom access enables easy in-line cleaning or seat replacement.

### FEATURES

- Dezincification Resistant Lead Free\* Bronze
- Sealed Spring Cage for Vault Installations
- Ultra-High Flow Capacity
- Internal Thermal Expansion Bypass
- Standard Factory Setting: 50 psi
- Three Spring Ranges Cover 10 - 125 psi
- Stainless Steel Bolts and Spring
- 150# ANSI B16.24 Flange Connection Option
- In-line Strainer Option
- **100% MADE IN THE USA**

### PERFORMANCE RATING

- Maximum Inlet Supply Pressure: up to 400 psig
- Temperature Range: 33 °F - 180 °F

### APPROVALS

- NSF/ANSI 372 Lead Free
- ASSE 1003
- CSA B356

### OPTIONS

- (02) - 10-35 psi
- (03) - 75-125 psi
- (36H) - w/ Standard Materials for Non-Potable Applications

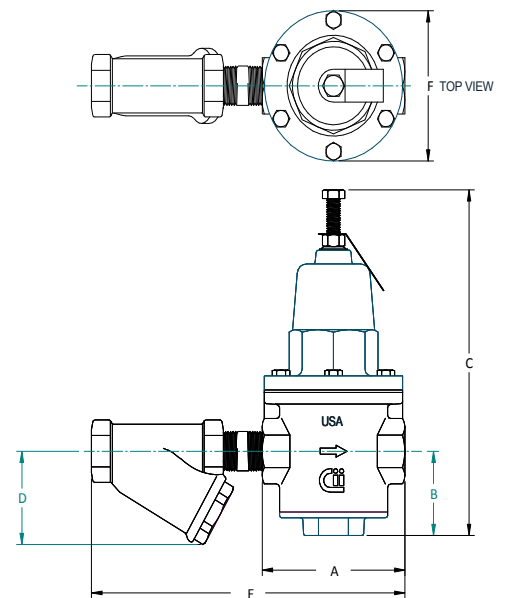
### STANDARD MATERIALS LIST

<b>BODY</b>	Bronze, C89836 Lead Free*
<b>BONNET/CAP</b>	Bronze, ASTM B584
<b>DIAPHRAGM</b>	FDA approved Buna-N w/ Nylon
<b>SEAT DISC</b>	FDA approved EPDM
<b>YOKE</b>	Bronze, C89836 Lead Free*
<b>SPRINGS</b>	Stainless Steel
<b>O-RINGS</b>	FDA approved Nitrile

### DIMENSIONS

PART NUMBER	SIZE (IN.)	DIMENSIONS (IN.)						WT. (LB.)	
		A	B	C	D	E	F	W/ STRAINER	W/O STRAINER
36HLF-203	1/2	4.12	2.25	9.25	1.87	8.37	4.00	7.00	6.0
36HLF-204	3/4	4.12	2.25	9.25	2.44	9.00	4.00	8.00	6.0
36HLF-205	1	4.82	2.31	9.81	4.00	10.25	4.70	12.00	8.0
36HLF-206	1-1/4	6.19	3.19	13.20	3.37	12.50	6.50	29.00	24.0
36HLF-207	1-1/2	6.75	3.19	13.20	3.87	13.13	6.50	29.00	23.0
36HLF-208	2	8.12	3.50	16.00	4.63	16.00	7.63	47.00	38.0
36HLF-209	2-1/2	8.12	3.50	16.00	6.00	17.70	7.63	49.00	37.0
36HLF-200	3	10.37	4.00	19.12	7.00	20.50	9.75	87.00	70.0
36HLF-709	2-1/2	10.37	3.50	16.00	7.12	21.70	7.63	105.00	55.0
36HLF-700	3	12.50	4.00	19.12	8.12	24.50	9.75	132.00	104.0

\*Nominal dimensions are shown. Allowances must be made for manufacturers' tolerances.



# 36HLF Series

Model PRH-LF High Capacity Pressure Reducing Valve

## LEAD FREE

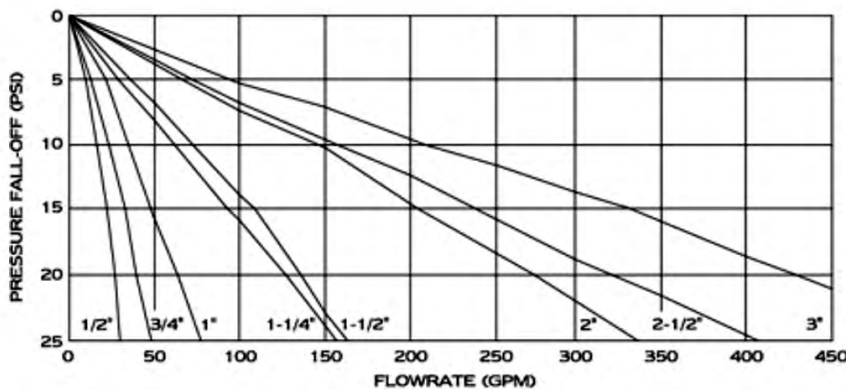
### PART NUMBER MATRIX

<b>36HLF 36H - X</b>	<b>X</b>	<b>X -</b>	<b>OX</b>
<b>END CONNECTIONS</b>	<b>OPTIONS</b>	<b>SIZE</b>	<b>PRESSURE RANGE</b>
2 - FNPT X FNPT (STANDARD)	0 - STANDARD	3 - 1/2"	01 - 25-75 PSIG (STANDARD)
7 - FLANGED (2-1/2" - 3" ONLY)	1 - WITH Y-STRAINER	4 - 3/4"	02 - 10-35 PSIG
		5 - 1"	03 - 75-125 PSIG
		6 - 1-1/4"	
		7 - 1-1/2"	
		8 - 2"	
		9 - 2-1/2"	
		0 - 3"	

### FLOW CAPACITY (GPM)

PIPE SIZE	FALL-OFF* (PSI)	PRESSURE DIFFERENTIAL (PSI)			PIPE SIZE	FALL-OFF* (PSI)	PRESSURE DIFFERENTIAL (PSI)		
		25	50	75			25	50	75
1/2"	5	8.5	10	11.5	1-1/2"	5	29.8	35.0	40.3
	10	13.6	16	18.4		10	61.5	72.3	83.1
	15	17.9	21	24.2		15	90.1	106.0	121.9
	20	21.3	25	28.8		20	113.1	133.0	153.0
3/4"	5	10.6	12.5	14.4	2"	5	55.3	65.0	74.8
	10	20.4	24.0	27.6		10	126.7	149.0	171.4
	15	28.1	33.0	38.0		15	174.3	205.0	235.8
	20	34.0	40.0	46.0		20	231.2	272.0	312.8
1"	5	17.0	20.0	23.0	2-1/2"	5	58.7	69.0	79.4
	10	29.8	35.0	40.3		10	132.6	156.0	179.4
	15	40.8	48.0	55.2		15	200.6	236.0	271.4
	20	51.0	60.0	69.0		20	271.2	319.0	366.9
1-1/4"	5	21.3	25.0	28.8	3"	5	80.8	95.0	109.3
	10	51.9	61.0	70.2		10	176.0	207.0	238.1
	15	80.8	95.0	109.3		15	282.5	332.4	382.3
	20	106.3	125.0	143.8		20	365.5	430.0	494.5

### 36HLF SERIES PRV FLOW RATE VS. PRESSURE FALL-OFF



*Note: Flow curves are based on static conditions of 100psi inlet pressure and 50 psi outlet pressure. Pressure differential is the difference between the supply pressure and adjusted outlet pressure measured in the static (closed) condition. Pressure fall-off is the decrease in downstream regulated pressure as the flow increases.*

*\*LEAD FREE: The wetted surfaces of this product shall contain no more than 0.25% lead by weighted average. Complies with Federal Public Law 111-380. ANSI 3rd party approved and listed.*