

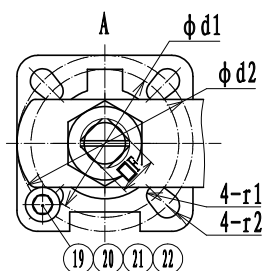
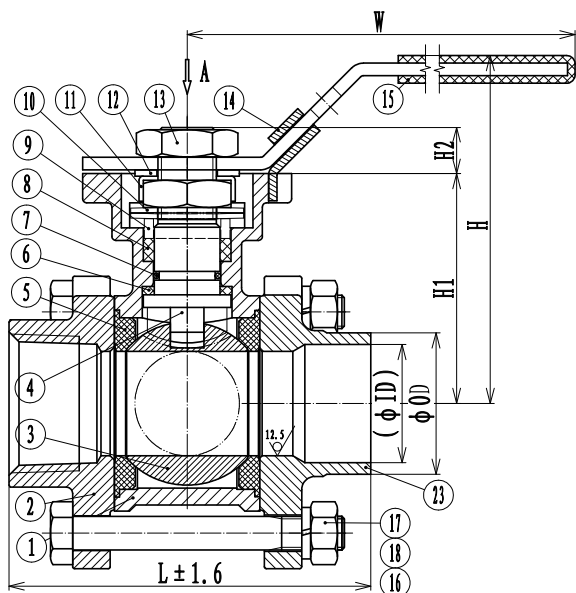
A86C Pegler 3 Piece Ball valve SS

(BSPT x Butt weld Sch10)



specifications

- stainless steel
- 3PC for flexible maintenance
- enhanced ball seat TFM4215
- includes ISO5211 mounting plate
- locking device as standard
- blow out proof stem
- working pressure PN63
- operating temperature -29°C to 204°C
- BS EN12266, API 598 low pressure test
- flow and return colour indicator

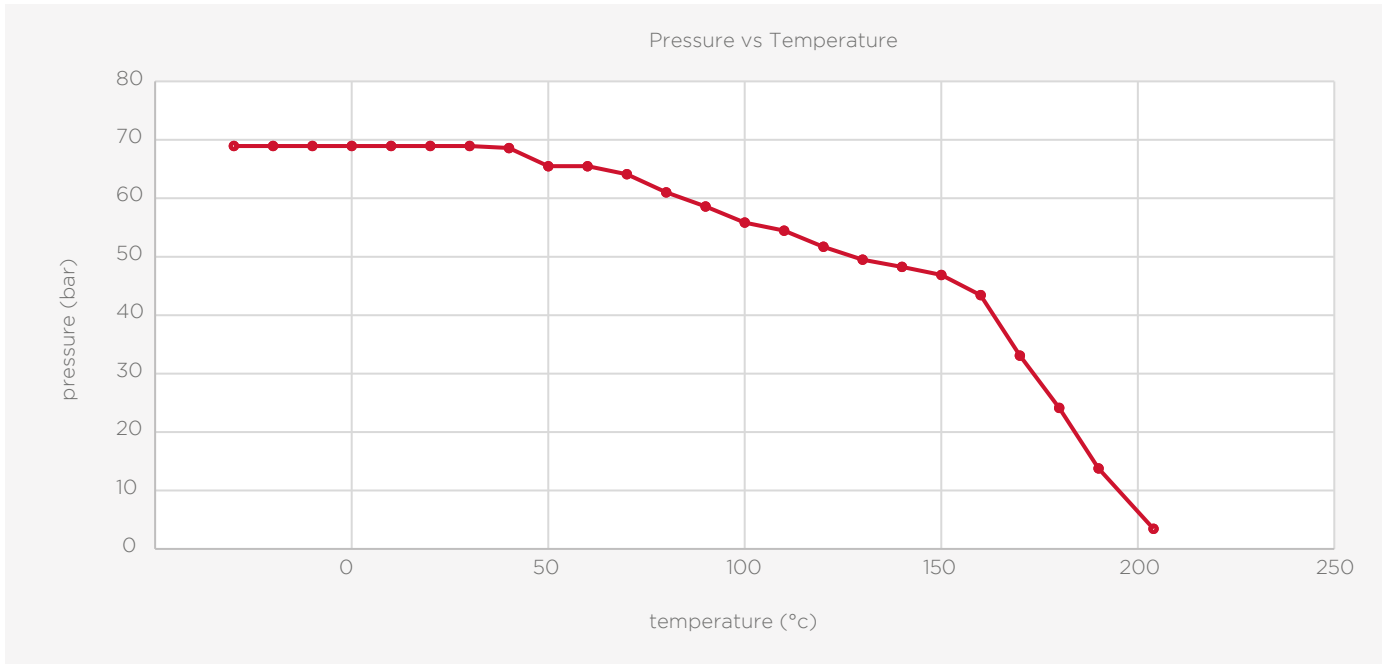


no.	component	material
1	body	Stainless Steel CF8M
2	body cap	Stainless Steel CF8M
3	ball	A182-F316
4	ball seat	TFM4215
5	stem	A182-F316
6	gasket	PTFE
7	oring	VITON
8	stem Packing	PTFE
9	packing Gland	SS 304
10	spring washer	SS 301
11	locking washer	SS 304
12	steel Washer	SS 304
13	nut	A2-70
14	handle	SS 304
15	hanel Cover	PVC
16	nut	A2-70
17	spring Washer	SS 301
18	bolt	A2-70
19	screws	A2-70
20	nut	A2-70
21	steel Washer	SS 304
22	locating Pin	SS 304

maximum pressure (bar)		
dimension	test pressure shell	pressure seat
1/2" - 2" (63 bar)	104	6 (LP test)

pressure equipment directive category	
all sizes	SEP

dimension	code	weight (kg)	type	size	ID	OD	L	H1	H2	H	W	d1	d2	r1	r2
DN15	123462365	0.61	Rp	1/2"	17.1	21.3	67.5	42	9	75	141	36	42	3	3
DN20	123462366	0.82	Rp	3/4"	22.5	26.7	79	48	9	81	141	36	42	3	3
DN25	123462367	1.245	Rp	1"	27.9	33.4	86	55	11	93	162	42	50	3	3.5
DN32	123462368	1.847	Rp	1 1/4"	36.7	42.2	101	60	11	98	162	42	50	3	3.5
DN40	123462369	2.793	Rp	1 1/2"	42.8	48.3	113	70	14	109	188	50	70	3.5	4.5
DN50	123462370	4.278	Rp	2"	54.8	60.3	133	85	14	124	188	50	70	3.5	4.5



The data is only for your reference. The performance may be affected under different work situations.