

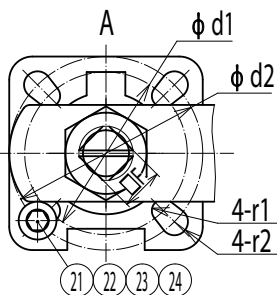
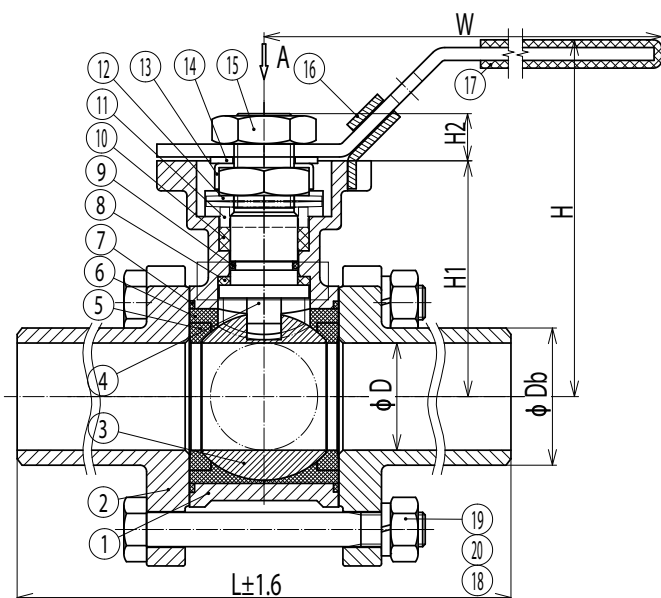
# A86D Pegler 3 Piece Ball valve SS

(long butt weld)



## specifications

- extended for clean installation
- stainless steel
- 3PC for flexible maintenance
- enhanced ball seat TFM4215
- includes ISO5211 mounting plate
- locking device as standard
- blow out proof stem
- working pressure PN63
- operating temperature -29°C to 204°C
- EN12266, API 598 low pressure test
- flow and return colour indicator



no.	component	material
1	body	Stainless Steel CF8M
2	bonnet	Stainless Steel CF8M
3	ball	A182-F316
4	stem	A276-316
5	seat	TFM4215
6	seat packing	TFM4215
7	gaskets	TFM4215
8	thrust washer	PTFE
9	o-rings	VITON
10	stem packing	PTFE
11	packing pressure ring	SS 304
12	disc springs	SS 301
13	anti-loose washer	SS 304
14	steel pads	SS 304
15	non standard nuts	A2-70
16	handle	SS 304
17	handle cover	PVC
18	type 1 HEX nut	A2-70
19	spring washers	SS 301
20	HEX head bolts	A2-70
21	Allen cylindrical head screw	A2-70
22	type 1 HEX nut	A2-70
23	steel pads	SS 304
24	positioning sleeve	SS 304

maximum pressure (bar)		
dimension	test pressure shell	pressure seat
1/2" - 2" (63 bar)	104	6 (LP test)

pressure equipment directive category	
all sizes	SEP

dimension	code	weight (kg)	type	size	Db	D	H1	L	H2	H	W	d1	d2	r1	r2	□F
DN15	123462371	0.824	BW	1/2"	22.5	15	42	225	9	75	141	36	42	3	3	9
DN20	123462372	1.099	BW	3/4"	27.5	20	48	225	9	81	141	36	42	3	3	9
DN25	123462373	1.838	BW	1"	34	25	55	245	11	93	162	42	50	3	3.5	11
DN32	123462374	2.655	BW	1 1/4"	43	32	60	256	11	98	162	42	50	3	3.5	11
DN40	123462375	3.663	BW	1 1/2"	50	38	70	260	14	109	188	50	70	3.5	4.5	14
DN50	123462376	5.157	BW	2"	62	50	85	275	14	124	188	50	70	3.5	4.5	14