

## SJ-400 BUTTERFLY VALVE

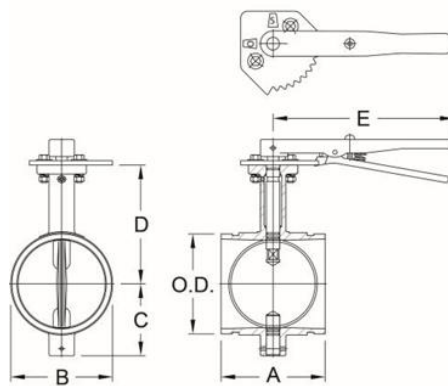


For pressure rating, listing, and approval information, refer to data sheet or visit SHURJOINT website [www.shurjoint.com](http://www.shurjoint.com) for details or contact your SHURJOINT representatives.

The Model SJ-400L Butterfly Valve is a grooved-end stainless steel butterfly valve designed for 300 psi service, supplied with a 10-position locking lever handle. The end-to-end dimensions conform to MSS SP-67. The body is investment cast in grade CF8M (type 316) to ASTM A743 with integral neck and ISO mounting top flange. The neck height allows for insulation up to two inches. The disc is a dual-seal type, encapsulated either with Gr. E-pw EPDM for cold and hot water services or with Gr. T Nitrile for oil services. SJ-400-L Butterfly Valves with standard disc and Gr. E-pw EPDM seat are UL classified to NSF/ANSI 61 and NSF/ANSI 372.

### material specification

- **Valve Body:**  
Gr. CF8M (Type 316) stainless steel to ASTM A743 or A351 or A744 which is UL classified in accordance with NSF/ANSI 61 and NSF/ANSI 372 for potable water use to temperature 180°F (82°C).
- **Stems:**  
Stainless steel Type 410 to ASTM A582.
- **Disc:**  
Gr. CF8M (Type 316) encapsulated with Gr. E-pw EPDM.
- **Disc Encapsulation:**  
Grade “E-pw” EPDM: EPDM Rubber is classified in accordance with NSF/ANSI 61 and NSF/ANSI 372 for potable water use to temperature 180°F (82°C)
  - (Optional) Gr. E - EPDM.
  - Gr. T - Nitrile.
- **O-rings:**  
EPDM



Model SJ-400L Butterfly Valve with Lever Handle

Nominal Size	Pipe O.D.	Max. Working Pressure (CWP)*	Dimensions					Operating Torque	Weight
			A	B	C	D	E		
in	in	PSI	in	in	in	in	in	lbs-in	lbs
mm	mm	Bar	mm	mm	mm	mm	mm	Nm	kg
2	2.375	300	3.19	2.520	2.480	4.17	7.56	78	5.0
50	60.3	20	81	64	63	106	192	8.80	2.3
2½	2.875	300	3.81	3.150	2.677	4.28	7.56	84	7.0
65	73.0	20	97	80	68	111	192	9.50	3.2
76.1	3.000	300	3.81	3.150	2.677	4.28	7.56	84	7.0
	76.1	20	97	80	68	111	192	9.50	3.2
3	3.500	300	3.81	3.622	2.992	4.97	7.56	95	6.6
80	88.9	20	97	92	76	126	192	10.7	3.5
4	4.500	300	4.56	4.646	3.504	5.33	9.92	200	11.0
100	114.3	20	116	118	89	135	252	22.6	5.0
165.1	6.500	300	5.81	6.772	4.488	6.62	9.92	310	20.2
	165.1	20	148	172	114	168	252	34.9	9.2
6	6.625	300	5.81	6.772	4.488	7.25	13.46	310	20.2
150	168.3	20	148	172	114	184	342	34.9	9.2
200 JIS	8.516	300	5.24	8.740	5.512	8.20	13.46	400	26.8
	216.3	20	133	222	140	208	342	45.1	12.2
8	8.625	300	5.24	8.740	5.512	8.20	13.46	400	26.8
200	219.1	20	133	222	140	208	342	45.1	12.2
10	10.750	150	6.30	11.16	7.320	9.25	14.02	1500	31.3
250	273.0	10	160	284	186	235	356	170	28.3
12	12.750	150	6.56	13.15	6.390	10.24	14.02	2000	66.0
300	323.9	10	166	334	213	260	356	226	40.0

‡ The weight includes the lever handle.

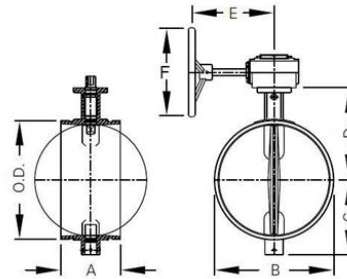
\*Working pressure is based on connection with roll- or cut-grooved standard wall stainless steel pipe.

SJ-400 BUTTERFLY VALVE  
Rev.20220713



For pressure rating, listing, and approval information, refer to data sheet or visit SHURJOINT website [www.shurjoint.com](http://www.shurjoint.com) for details or contact your SHURJOINT representatives.

The Model SJ-400W Butterfly Valve is a grooved-end stainless steel butterfly valve designed for 300 psi service, supplied with a worm gear operator. The ISO5211 mounting pad allows for the mounting of power actuators. The end-to-end dimensions conform to MSS SP-67. The body is available in grade CF8M (type 316) to ASTM A743 with integral neck and ISO mounting top flange. The disc is a dual-seal type, encapsulated with Gr. E EPDM for cold and hot water services



Model SJ-400W Butterfly Valve with Worm Gear

Nominal Size	Pipe O.D.	Max. Working Pressure (CWP)*	Dimensions						Weight
			A	B	C	D	E	F	
in	in	PSI	in	in	in	in	in	in	lbs
mm	mm	Bar	mm	mm	mm	mm	mm	mm	kg
2	2.375	300	3.19	2.520	2.480	4.17	6.00	6.00	11.0
50	60.3	20	81	64	63	106	152	152	5.0
2½	2.875	300	3.81	3.150	2.677	4.28	6.00	6.00	13.0
65	73.0	20	97	80	68	111	152	152	5.9
76.1	3.000	300	3.81	3.150	2.677	4.28	6.00	6.00	13.0
	76.1	20	97	80	68	111	152	152	5.9
3	3.500	300	3.81	3.622	2.992	4.97	6.00	6.00	12.6
80	88.9	20	97	92	76	126	152	152	5.7
4	4.500	300	4.56	4.646	3.504	5.33	6.00	6.00	17.0
100	114.3	20	116	118	89	135	152	152	7.7
165.1	6.500	300	5.81	6.772	4.488	6.62	6.00	6.00	26.2
	165.1	20	148	172	114	168	152	152	11.9
6	6.625	300	5.81	6.772	4.488	7.25	6.00	6.00	26.2
150	168.3	20	148	172	114	184	152	152	11.9
200 JIS	8.516	300	5.24	8.740	5.512	8.20	6.00	6.00	32.8
	216.3	20	133	222	140	208	152	152	14.8
8	8.625	300	5.24	8.740	5.512	8.20	6.00	6.00	32.8
200	219.1	20	133	222	140	208	152	152	14.8
10	10.750	150	6.30	11.16	7.320	9.25	8.00	8.00	42.3
250	273.0	10	160	284	186	235	203	203	19.2
12	12.750	150	6.56	13.15	6.390	10.24	8.00	8.00	77.0
300	323.9	10	166	334	213	260	203	203	34.9

‡ The weight includes the worm gear.

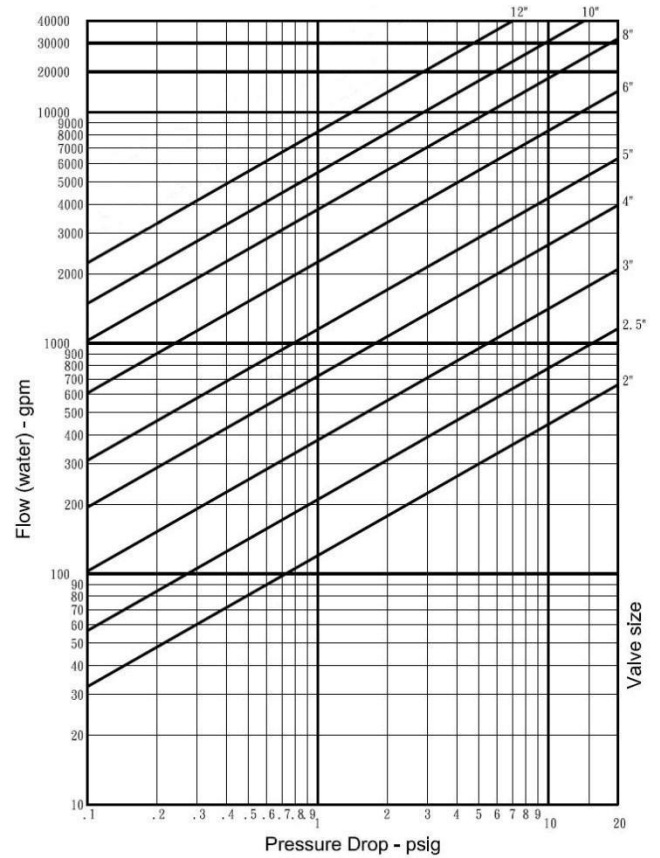
\*Working pressure is based on connection with roll- or cut-grooved standard wall stainless steel pipe.

**Flow Data**

Equivalent length and Cv values for flow of water are shown below (water temperature at +86°F or +30°C)  
 This chart should be used as a general guide.

Nominal Size	Equivalent Length on Sch. 40 pipe*	Cv Values
in	Feet (Meter)	
2	8.1 (2.48)	120
2½	8.1 (2.48)	210
3	8.4 (2.56)	380
4	8.3 (2.53)	720
5	9.8 (2.99)	1150
6	7.4 (2.26)	2250
8	11.0 (3.35)	3800
10	10.5 (3.20)	5500
12	12.0 (3.66)	8250

\*At 15 feet/sec. (4.6m/s) velocity of water.



General note

- Maximum Working Pressure (CWP) listed is the maximum cold water pressure for general piping services tested to ASTM F1476 and or AWWA C606 methods. Figures listed are based on roll- or cut-grooved standard wall carbon steel pipe. For other pipe schedules or pipe materials, contact Shurjoint for additional information.
- Field Joint Test: For one time only, the system may be tested hydrostatically at 1½ times the maximum working pressure listed (AWWA C606 5.2.3).
- Warning: Piping systems must always be depressurized and drained before attempting disassembly and or removal of any components.
- The 10 Year Limited Warranty applies to manufacturing defects only and does not cover severe service/temperature applications or wear parts.
- Shurjoint reserves the right to change specifications, designs and or standard without notice and without incurring any obligations.