

SJ-C300 BUTTERFLY VALVE

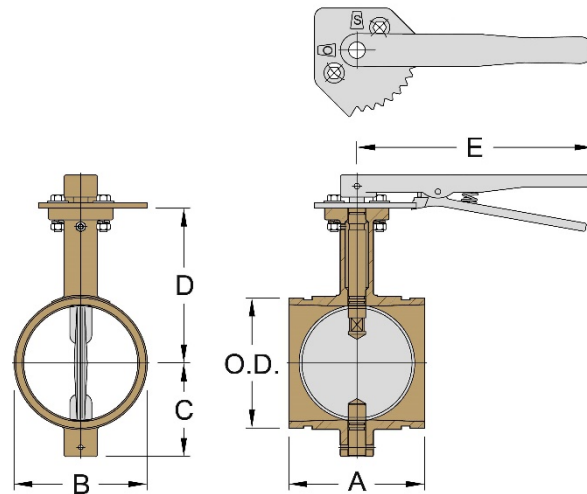


For pressure rating, listing, and approval information, refer to data sheet or visit SHURJOINT website www.shurjoint.com for details or contact your SHURJOINT representatives.

The Model SJ-C300 is a lever handle bronze body butterfly valve designed for use with grooved copper tubing (CTS), fittings and couplings. This valve features a 10-position locking lever handle and lead-free bronze body and EPDM rubber encapsulated dual-seal disc. The lead-free bronze body conforms to ASTM B-584 copper alloy C83470 or C89836 Bismuth copper alloy. The EPDM rubber disc is classified in accordance with NSF/ANSI 61 and NSF/ANSI 372 for use in cold +86°F (+30°C) and hot +180°F (+82°C) potable water system. The SJ-C300 is UL classified in accordance with NSF/ANSI 61 and NSF/ANSI 372 for portable water use. Also available with factory installed gear operator on request.

material specification

- **Valve Body:**
Bronze casting ASTM B584 UNS C83470 or C89836.
- **Disc:**
Ductile iron to ASTM A536 Gr. 65-45-12, encapsulated with EPDM.
- **Disc Encapsulation:**
Gr. E-pw EPDM (Color code: Double Green Stripes), Good for cold +86°F (+30°C) and hot +180°F (+82°C) potable water services. EPDM is UL classified per NSF/ANSI 61 and NSF/ANSI 372.
For additional details contact Shurjoint.
- **Upper & Lower Shafts:**
Stainless steel Type 410 of ASTM A182.



Model SJ-C300 Butterfly Valve

Nominal Size	Pipe O.D.	Max. Working Pressure (CWP)*	Dimensions				Weight†
			A	B	C	D	
in	in	PSI	in	in	in	in	lbs
mm	mm	Bar	mm	mm	mm	mm	kg
2	2.125	300	3.19	5.31	2.45	10.0	5.9
50	54	20	81	135	57	254	2.7
2½	2.625	300	3.78	5.87	2.87	10.0	7.3
65	66.7	20	96	149	73	254	3.3
3	3.125	300	3.78	6.42	3.27	10.0	7.7
80	79.4	20	96	163	83	254	3.5
4	4.125	300	4.65	8.19	4.29	10.0	11.0
100	104.8	20	118	208	109	254	5.0
5	5.125	300	5.28	9.80	5.36	10.0	16.9
125	130.2	20	134	249	136	254	7.7
6	6.125	300	5.28	10.79	6.42	10.0	16.9
150	155.6	20	134	274	163	254	7.7

* Working pressure is for connection with roll-grooved Type K copper tubing.

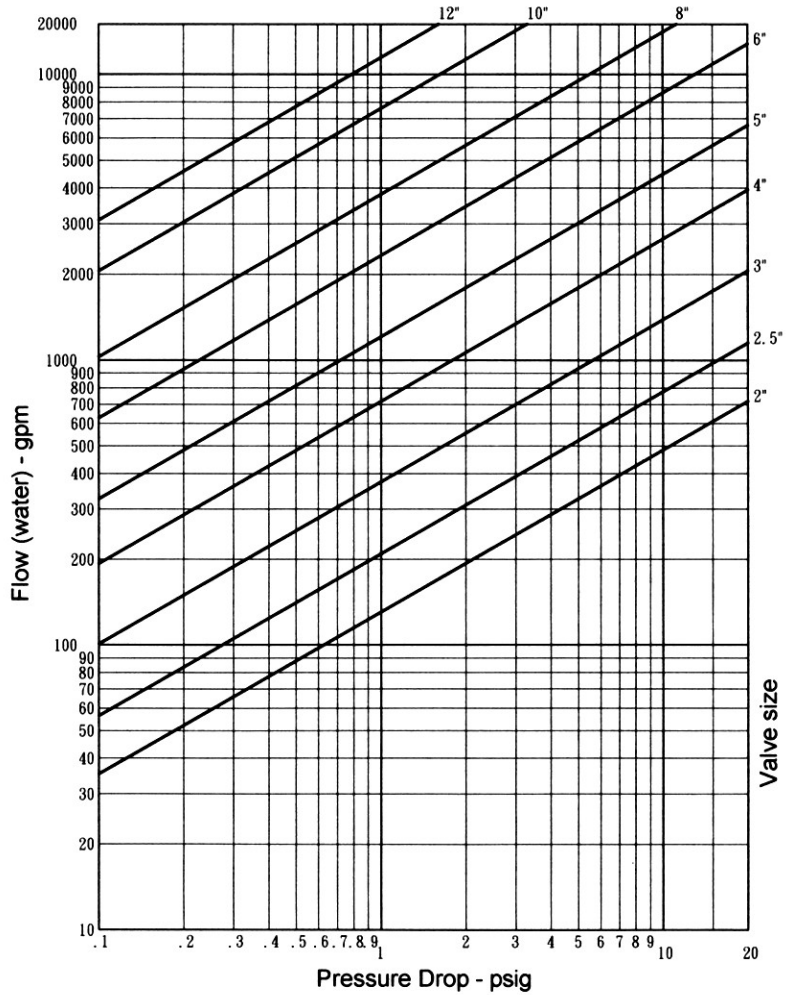
* Please note that 2", 2½", and 3" Model C341 Flanges cannot be used for making direct connections to Model SJ-C300 Butterfly Valves due to bolt pad interference with the valve.

Flow Data - Cv Values

Values for flow of water at +60°F (+16°C).

$$Cv = \frac{Q}{\sqrt{\Delta P}}$$

Where: Cv = Flow coefficient
 Q = Flow (GPM)
 ΔP = Pressure drop (psi)



Model SJ-C300 Butterfly Valve Torque Data

SJ-C300		
Nominal Size	Operating Torque	
	Nm	In-lbs
2	8.0	6
2½	12.5	9
3	18.0	13
4	43.0	32
5	62.0	46
6	72.0	53

Breakaway Torque: 2 -2.5 times.

General note

- Maximum Working Pressure (CWP) listed is the maximum cold water pressure for general piping services tested to ASTM F1476 and or AWWA C606 methods. Figures listed are based on roll- or cut-grooved standard wall carbon steel pipe. For other pipe schedules or pipe materials, contact Shurjoint for additional information.
- Field Joint Test: For one time only, the system may be tested hydrostatically at 1½ times the maximum working pressure listed (AWWA C606 5.2.3).
- Warning: Piping systems must always be depressurized and drained before attempting disassembly and or removal of any components.
- The 10 Year Limited Warranty applies to manufacturing defects only and does not cover severe service/temperature applications or wear parts.
- Shurjoint reserves the right to change specifications, designs and or standard without notice and without incurring any obligations.

Aalberts integrated piping systems APAC Inc.

11F-2 No. 175 Zhongzheng 2nd Rd. / Lingya, Kaohsiung
Taiwan

www.aalberts.com/ips